

VALVE COVER

RISER PIPE OPENING FOR TRACER WIRE

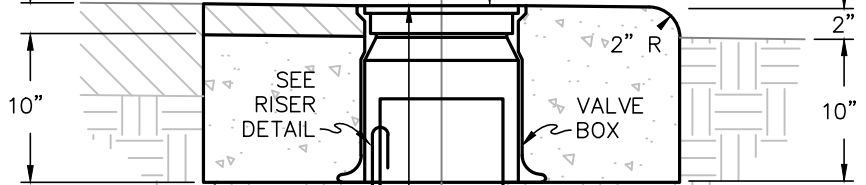
PAVED CONDITION

UNPAVED CONDITION

2" AC MIN
C2-PG 64-10

10" TYP

BINGHAM & TAYLOR
PART NOS.
CUL10R-HVYF &
CUL10L-HVY4-WWD8



CONCRETE COLLAR
520-C-2500 OR
APPROVED EQUAL

SUBGRADE AND AROUND RISER
SHALL BE COMPACTED TO 90%
RELATIVE COMPACTION TYP.

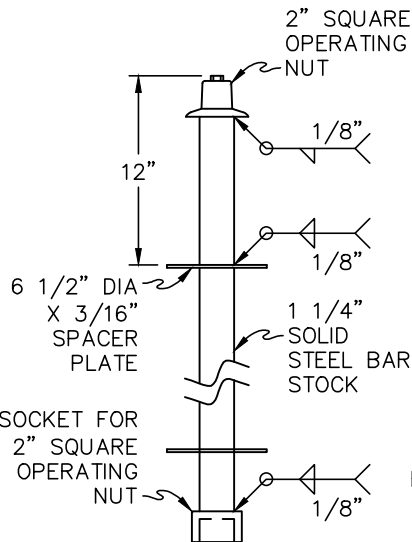
TRACER WIRE ON
OUTSIDE OF PIPE

PROVIDE VALVE STEM EXTENSION
WHEN DEPTH TO OPERATING NUT
EXCEEDS 84" SEE EXTENSION DETAIL

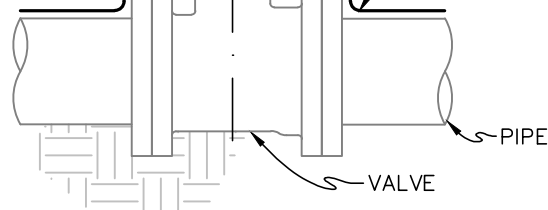
SPLICE TRACER WIRES WITH
DIRECT BURY WATERPROOF
CONNECTORS

8" SDR-35 PVC
RISER (ONE
CONTINUOUS PIECE),
4"-6" FROM
FINISHED SURFACE

TRACER WIRE
12 AWG SOLID



STEM EXTENSION
DETAIL



NOTES:

1. ALL MATERIALS AND CONSTRUCTION SHALL MEET THE REQUIREMENTS AS SPECIFIED IN THE CITY'S "WATER DESIGN AND CONSTRUCTION STANDARDS" MANUAL.
2. NO "CLOVER LEAFS" AT VALVE BOX CLUSTERS (IE AT A TEE), CONCRETE COLLAR SHALL BE CIRCULAR
3. PRE-APPROVED MANUFACTURES AND MODEL NUMBERS ARE LISTED IN THE CITY'S APPROVED MATERIALS LIST FOR WATER IMPROVEMENT PROJECTS.



**Ventura County
Waterworks
District No. 8**

VALVE ASSEMBLY DETAILS

JUL 2025

PLATE
301

RECOMMENDED:

/s/

DEPUTY DIRECTOR / DISTRICT ENGINEER

APPROVED:

/s/

DIRECTOR OF PUBLIC WORKS