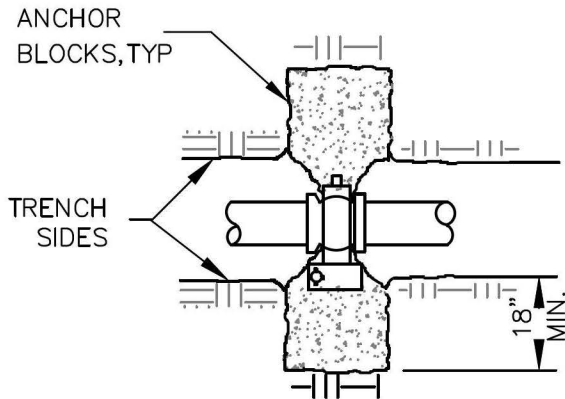
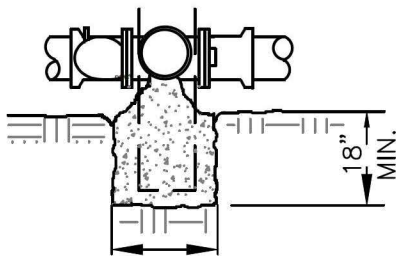


ELEVATION



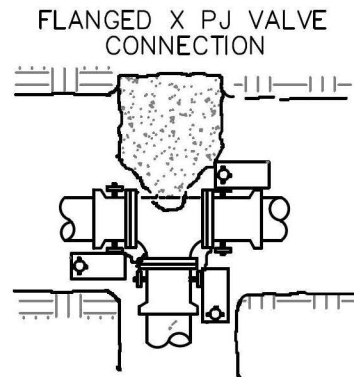
PLAN

IN-LINE VALVES

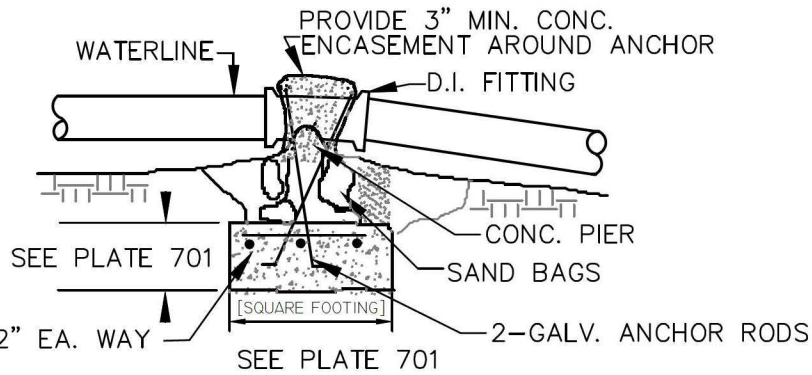


SEE PLATE 701

TEES



FLANGED X PJ VALVE CONNECTION



ELBOWS

**NOTES:**

1. ANCHOR BLOCKS SHALL BEAR ON UNDISTURBED SOIL.
2. FOR ANCHOR BLOCK DIMENSIONS SEE PLATE 701.
3. SPECIAL DESIGN AND DISTRICT ENGINEER APPROVAL REQUIRED FOR VERTICAL ANGLES GREATER THAN 22 1/2 DEGREES.
4. REFER TO SECTION 4.4 "MAIN LINE FITTINGS" AND SECTION 6.12 "INSTALLATION OF VALVES AND FITTINGS" FOR INFORMATION CONCERNING THE INSTALLATION AND PROTECTION OF BOLTED CONNECTIONS.
5. ALL MATERIALS AND CONSTRUCTION SHALL MEET THE REQUIREMENTS AS SPECIFIED IN THE CITY'S WATER DESIGN AND CONSTRUCTION STANDARDS MANUAL.
6. PRE-APPROVED MANUFACTURERS AND MODEL NUMBERS ARE LISTED IN THE CITY'S APPROVED MATERIALS LIST FOR WATER IMPROVEMENT PROJECTS.



**Ventura County  
Waterworks  
District No. 8**

**ANCHOR BLOCKS**

JUL 2021

PLATE  
703

RECOMMENDED:

/s/

DEPUTY DIRECTOR / DISTRICT ENGINEER

APPROVED:

/s/

DIRECTOR OF PUBLIC WORKS