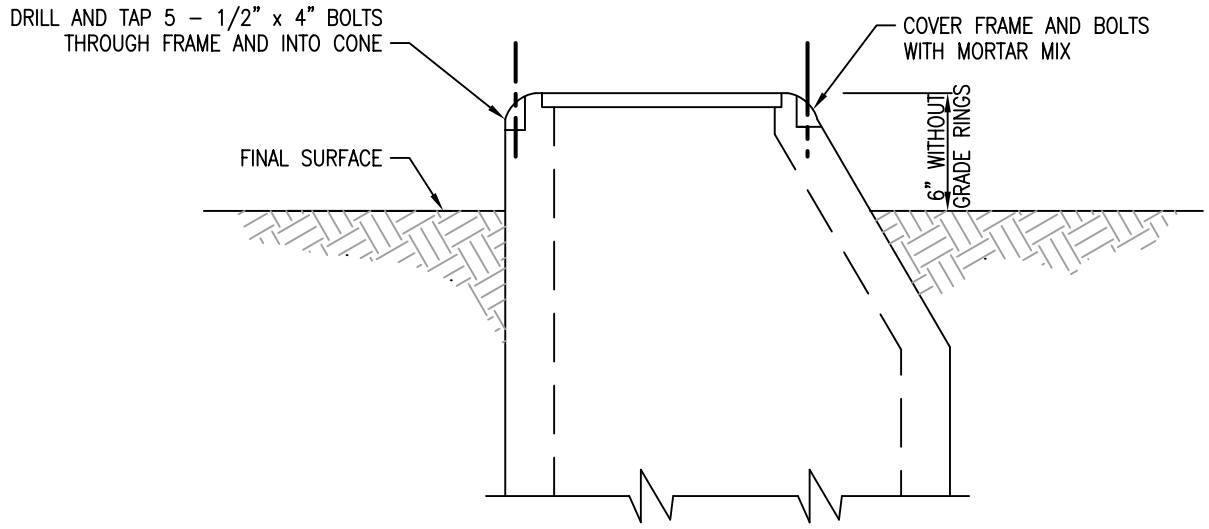


CASE I CONSTRUCTION WITH GRADE RINGS

NOT TO SCALE

NOTE:

FOR APPLICABLE NOTES AND DESIGNATIONS, SEE CITY OF SIMI VALLEY STANDARD PLAN SV 40-100.



CASE II CONSTRUCTION WITHOUT GRADE RINGS

NOT TO SCALE

| | | | |
|---|---|---|---|
| <p>APPROVED: /S/ DIRECTOR OF PUBLIC WORKS Aug 28, 2006 DATE</p> | <p>CITY OF SIMI VALLEY DEPARTMENT OF PUBLIC WORKS</p> | <p>MANHOLE SECURING DETAILS FOR UNDEVELOPED AREAS</p> | <p>STANDARD PLAN NO. SV 40-140 SHEET 1 OF 1</p> |
|---|---|---|---|