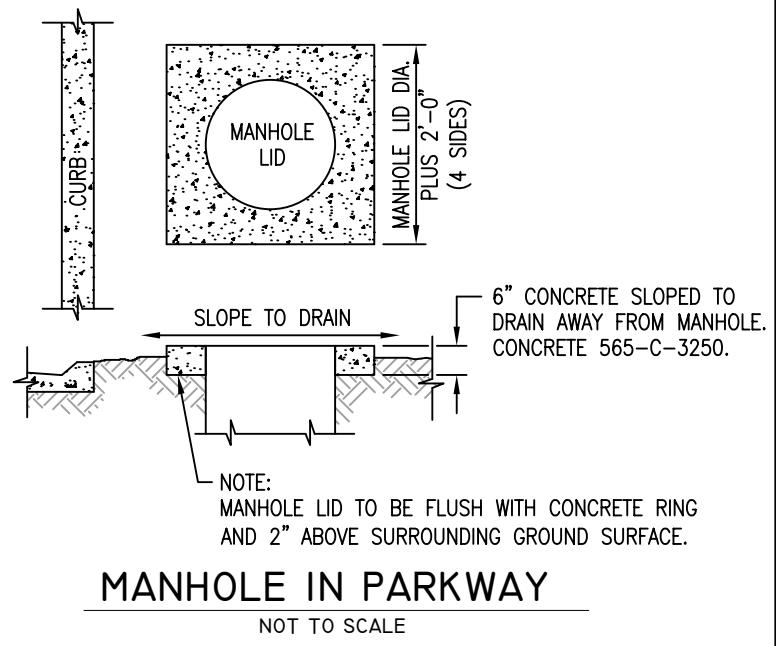
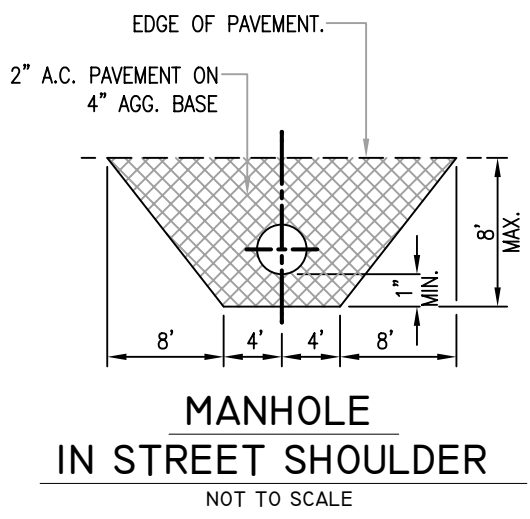


NOTES:

1. ALL REBAR #4 @ 12".
2. CONCRETE BLOCK CONCRETE 565-C-3250.
3. GRADE 40 REBAR.

CONCRETE BLOCK - RETAINING WALL
NOT TO SCALE



APPROVED:
/S/
DIRECTOR OF PUBLIC WORKS
Aug 28, 2006
DATE

**CITY OF
SIMI VALLEY**
DEPARTMENT OF PUBLIC WORKS

**MISCELLANEOUS
MANHOLE DETAILS**

STANDARD PLAN NO.
SV 40-150
SHEET 1 OF 1