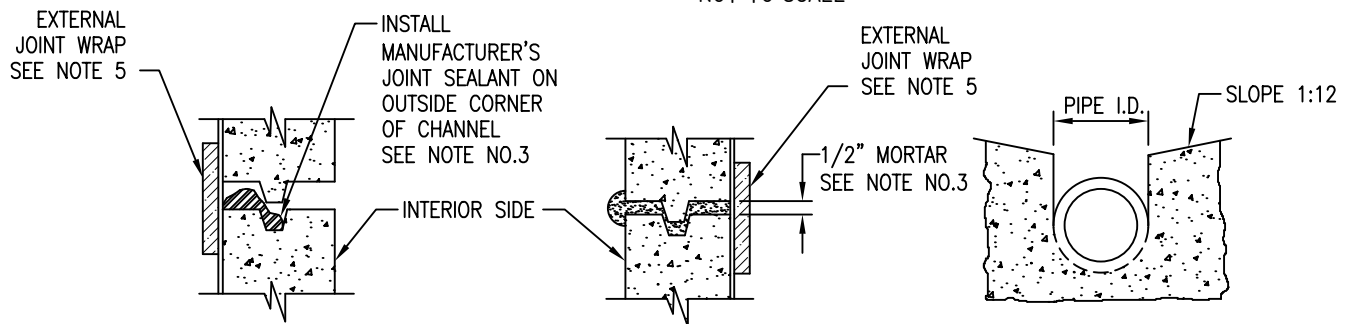


PLAN

NOT TO SCALE



PLASTIC JOINT

NOT TO SCALE

MORTAR JOINT

NOT TO SCALE

TYPICAL CHANNEL SECTION

NOT TO SCALE

NOTES:

1. **MORTAR JOINTS:** SUFFICIENT MORTAR SHALL BE APPLIED ACROSS ENTIRE FACE OF JOINT SO WHEN PRECAST UNITS ARE PLACED ON TOP OF ONE ANOTHER, THE MORTAR WILL SQUEEZE OUT BOTH THE INSIDE AND OUTSIDE WALL FACES. JOINTS TO BE "POINTED" AFTER SETTING PRECAST UNITS EXCLUDING GRADE RINGS. MORTAR SHALL BE CLASS C.
2. **PLASTIC JOINTS:** PREFORMED READY TO USE PLASTIC JOINT SEALING COMPOUND SHALL BE A BUTYL RUBBER TYPE SEALANT BY PRECON PRODUCTS, INC., QUICK-SEAL BY QUIKSET INC., OR APPROVED EQUAL.
3. **WATERPROOFING:** ALL EXTERIOR JOINTS OF THE MANHOLE STRUCTURE, INCLUDING BUT NOT LIMITED TO RING AND SHAFT JOINTS, PIPE PENETRATION JOINTS, AND ALL COMPONENT INTERFACE JOINTS, SHALL BE FILLED AND/OR APPLIED WITH A PASTE GRADE BITUMINOUS ASPHALT SEALANT. THE REMAINING EXTERIOR CONCRETE SURFACE OF THE MANHOLE STRUCTURE SHALL THEN BE COATED WITH A POURABLE GRADE OF BITUMINOUS ASPHALT SEALANT. SEALANT SHALL BE "BITUMASTIC" BY KOPPERS, OR APPROVED EQUAL. FINISHED THICKNESS SHALL BE MINIMUM OF 50 MILS.
4. **CONCRETE BASE:** CONCRETE FOR THE MANHOLE BASES SHALL CONTAIN POLYETHYLENE FIBER REINFORCEMENT FIBERS. THE QUANTITY OF FIBERMESH FIBERS PER UNIT YARD OF CONCRETE SHALL BE IN ACCORDANCE WITH THE FIBERMESH MANUFACTURER'S RECOMMENDATION.
5. INSTALL 9 INCH WIDE SLEEVE MADE BY CRETEX WRAP EXTERNAL JOINT SEAL OR APPROVED EQUAL PROR TO BACKFILLING. MATERIAL FOR EXTERNAL JOINT SEAL SHALL CONFORM TO ASTM C-923 TEST, AS MODIFIED, WITH A MIN. 3/16 INCH THICKNESS FOR DURABILITY AND RESISTANCE TO TEARING OR PUNCTURING.

APPROVED: <div style="text-align: center; font-size: 1.2em;">/S/</div>	CITY OF SIMI VALLEY	TYPICAL CONCRETE BASE AND JOINT DETAIL	STANDARD PLAN NO. SV 40-120
DIRECTOR OF PUBLIC WORKS Aug 28, 2006 DATE	DEPARTMENT OF PUBLIC WORKS		SHEET 1 OF 1