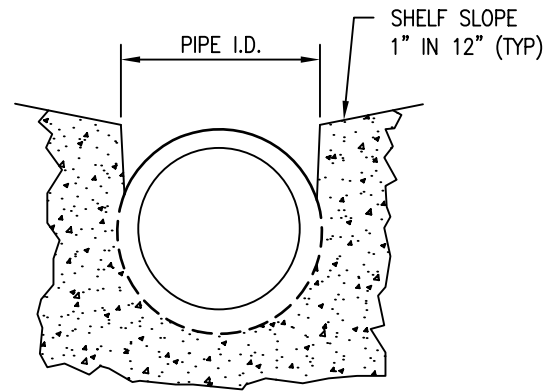
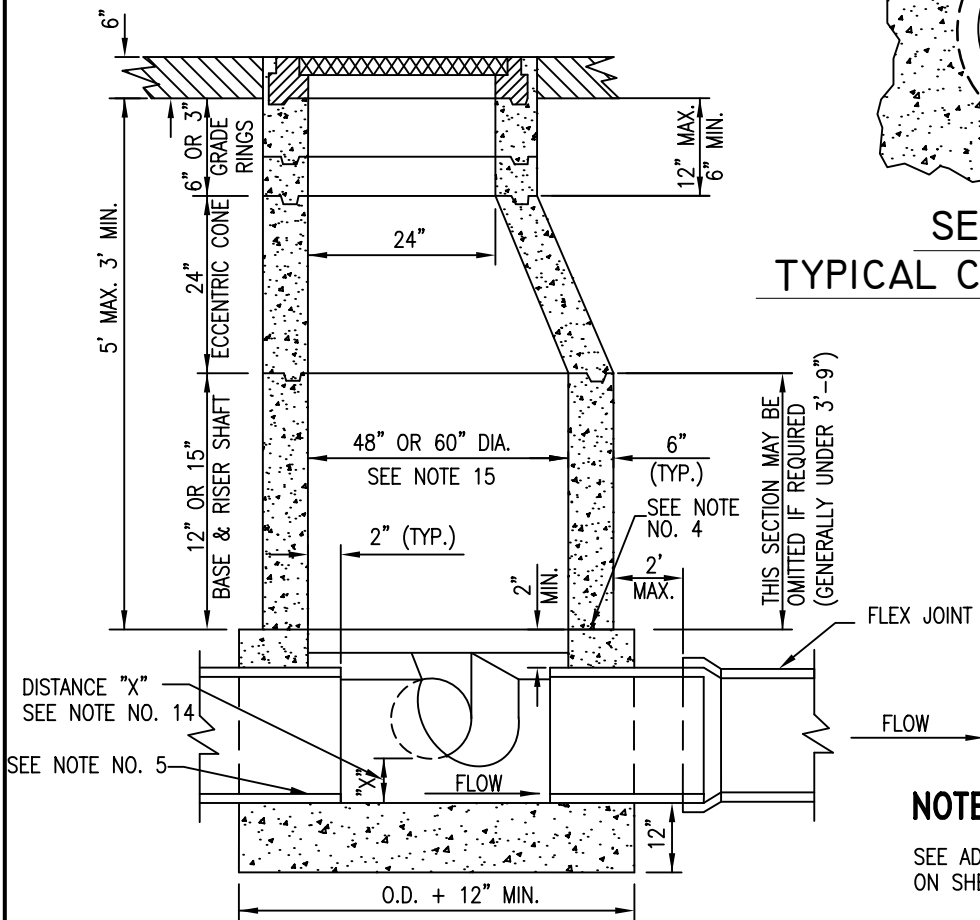


PLAN
NOT TO SCALE



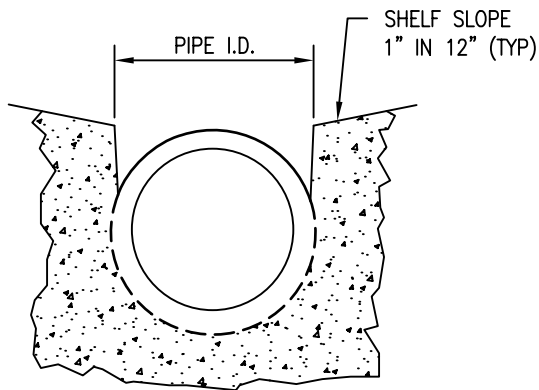
SECTION B-B
TYPICAL CHANNEL SECTION
NOT TO SCALE



3 FEET TO 5 FEET, DEPTH TO TOP OF BASE
NOT TO SCALE

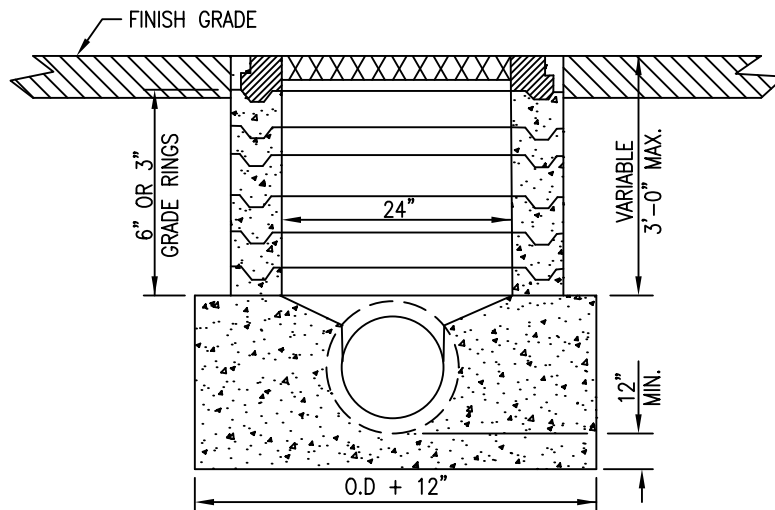
NOTE:
SEE ADDITIONAL REQUIREMENTS
ON SHEETS 3 AND 4 OF 4.

<p>APPROVED: /S/ DIRECTOR OF PUBLIC WORKS Aug 28, 2006 DATE</p>	<p>CITY OF SIMI VALLEY DEPARTMENT OF PUBLIC WORKS</p>	<p>SHALLOW MANHOLES</p>	<p>STANDARD PLAN NO. SV 40-110 SHEET 1 OF 4</p>
---	---	-------------------------	---



SECTION B-B
TYPICAL CHANNEL SECTION

NOT TO SCALE



3 FEET AND UNDER, DEPTH TO TOP OF BASE

NOT TO SCALE

NOTE:

SEE ADDITIONAL REQUIREMENTS
ON SHEETS 3 AND 4 OF 4.

APPROVED:

/S/

DIRECTOR OF PUBLIC WORKS

Aug 28, 2006

DATE

**CITY OF
SIMI VALLEY**

DEPARTMENT OF PUBLIC WORKS

SHALLOW MANHOLES

STANDARD PLAN NO.

SV 40-110

SHEET 2 OF 4

NOTES:

1. EXCEPT AS NOTED HEREON, THE PRECAST UNITS SHALL BE REINFORCED CONCRETE UNITS MANUFACTURED AND TESTED IN ACCORDANCE WITH ASTM C-478 HAVING A MINIMUM 28 DAY COMPRESSIVE STRENGTH OF 4000 PSI.
2. RISER SECTIONS SHALL BE REINFORCED CONCRETE UNITS IN ACCORDANCE ASTM C-478. MINIMUM THICKNESS SHALL BE 6 INCHES.
3. PRECAST COMPONENTS SHALL HAVE A MINIMUM OF 2 INCHES OF COVER OVER THE REINFORCING STEEL ON THE INSIDE FACE.
4. CONCRETE FOR THE MANHOLE BASE SHALL BE CLASS 560-C-3250 PER SECTION 201-1.1.2 OF THE SSPWC. BASE SHALL BE POURED IN ONE OPERATION TO A POINT 2 INCHES ABOVE THE INLET AND OUTLET PIPES. USE A METAL FORMING RING AT THE TOP OF THE VASE TO CREATE A TONGUE AND GROOVE JOINT THAT WILL ACCOMMODATE THE FIRST PRECAST SECTION.
5. INSTALL AN APPROVED TIGHT FITTING RUBBER RING AROUND PIPE FOR USE AS A WATERSTOP (TYPICAL).
6. JOINTS SHALL BE TONGUE AND GROOVE CONFORMING TO ASTM C-478 SECTION 14.
7. MANHOLE RISER AND GRADERING JOINTS SHALL BE SEALED WITH A BUTYL RUBBER TYPE SEALANT AS MANUFACTURED BY PRECON PRODUCTS, QUICKSET, INC., OR APPROVED EQUAL.
8. THE CONTRACTOR SHALL COORDINATE AND VERIFY WITH A MANHOLE MANUFACTURER THE DISTANCE BETWEEN THE MANHOLE BASE AND THE FINISHED GRADE OF THE MANHOLE RING TO ENSURE THAT THE SELECTED LINER WILL ACCOMMODATE THE LENGTH OF THE PROPOSED GRADERINGS.
9. ENTIRE EXTERIOR SURFACES OF THE MANHOLE STRUCTURE SHALL BE COATED WITH AN APPROVED BITUMINOUS ASPHALTIC MATERIAL. SEE SECTION 3.9 AND NOTE NO.3 ON CITY OF SIMI VALLEY STANDARD PLAN SV 40-120.
10. WHERE PIPES EXCEED 18 INCHES IN DIAMETER OR DEEPER THAN 18 FEET, USE 60 INCHES DIAMETER MANHOLE. (ALSO SEE NOTE 15 FOR USE OF 60" MANHOLE.)
11. IN UNDEVELOPED AREAS, THE TOP OF THE CONE SHALL BE 6 INCHES ABOVE THE SURROUNDING FINAL GROUND SURFACE AND THE MANHOLE COVER AND FRAME SHALL BE SECURE PER CITY OF SIMI VALLEY STANDARD PLAN SV 40-140.
12. SEE CITY OF SIMI VALLEY STANDARD PLAN SV 40-120 FOR ADDITIONAL MANHOLE BASE AND JOINT REQUIREMENTS.
13. SEE CITY OF SIMI VALLEY STANDARD PLAN SV 40-130 FOR MANHOLE FRAME AND COVER REQUIREMENTS.

<p><u>APPROVED:</u> /S/ DIRECTOR OF PUBLIC WORKS Aug 28, 2006 DATE</p>	<p style="text-align: center;">CITY OF SIMI VALLEY</p>  <p style="text-align: center;">DEPARTMENT OF PUBLIC WORKS</p>	<p style="text-align: center;">SHALLOW MANHOLES</p>	<p><u>STANDARD PLAN NO.</u> SV 40-110 SHEET 3 OF 4</p>
--	---	--	---


NOTES:

- 14. WHEN MAIN SEWER LINE IS 15 INCHES OR LARGER IN DIAMETER, AND LATERAL SEWER IS 10-INCHES IN DIAMETER OR LESS, DISTANCE "X" = ONE HALF (1/2) THE INSIDE DIAMETER OF THE LARGER MAIN SEWER LINE.

- 15. USE 60 INCH MANHOLE IF MANHOLE HAS MORE THAN ONE MAIN LINE GOING INTO MANHOLE. (ALSO SEE NOTE 10 FOR USE OF 60" MANHOLE.)

- 16. FOR MANHOLES LESS THAN 5 FOOT DEEP, USE CITY OF SIMI VALLEY STANDARD PLAN SV 40-110.

- 17. MANHOLES LOCATED IN GROUNDWATER SHALL BE INSTALLED WITH A CURED-IN-PLACE FIBERGLASS MANHOLE LINING SYSTEM PER SSPWC SECTION 500-2.5, MANUFACTURED BY POLY-TRIPLEX TECHNOLOGIES INC., OR APPROVED EQUAL. MANHOLES NOT EXPOSED TO GROUNDWATER SHALL BE INSTALLED WITH A PVC LINER TO PROTECT CONCRETE FROM SULFIDE CORROSION, T-LOCK, DURA PLATES, OR APPROVED EQUAL.

<p><u>APPROVED:</u> /S/ <hr/>DIRECTOR OF PUBLIC WORKS Aug 28, 2006 <hr/>DATE</p>	<p style="text-align: center;">CITY OF SIMI VALLEY</p>  <p style="text-align: center;">DEPARTMENT OF PUBLIC WORKS</p>	<p style="text-align: center;">SHALLOW MANHOLES</p>	<p><u>STANDARD PLAN NO.</u> SV 40-110 SHEET 4 OF 4</p>
---	---	--	---